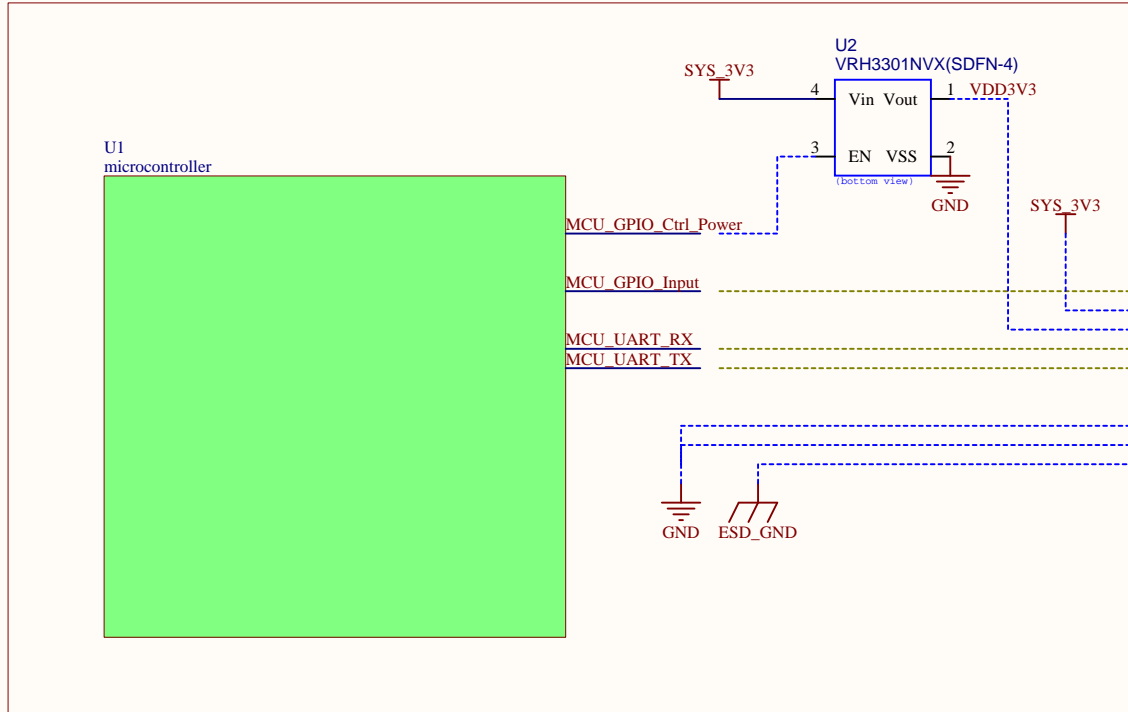
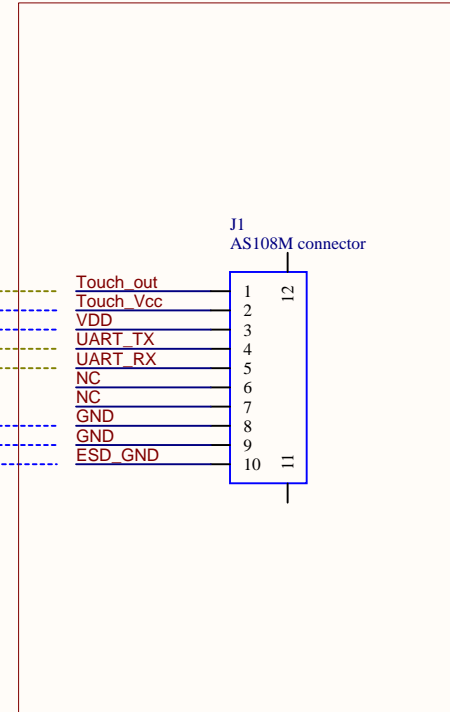


# AS108M Reference circuit

## Host



## AS108M module



- Note:
1. Host MCU IO control power supply to module pin3 VDD
  2. UART baudrate 57600
  3. module pin 2 Touch VCC always supply 3.3V
  4. disable power VDD3V3 when non-use fingerprint function for power saving.

Title AS108M Reference circuit		
Size A4	Number	Revision
Date: 2021/1/5	Sheet of	
File: D:\Hyde\...\Host Reference circuit.SchDoc	Drawn By:	